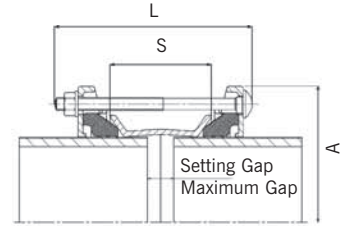


Flange Adaptor

Size Range (mm)		Diameter M (mm)	'S' Bore (mm)	Overall Length L (mm)	Sleeve Length x Thickness (L) x (T)	Flange Drilling	Setting Gap (mm)	Max Gap (mm)	Bolts No x Dia x Length	Gasket Mould No.	Weight (kg)
Min	Max										
57.0	74.0	163.4	59.0	124.0	75.0 x 4.5	50 PN 10:16, 2.5" BS10 Table ADE, 2" ANSI125	20.0	40.0	4 - M12x115	12392/1	2.7
63.0	85.0	196.9	75.0	124.0	75.0 x 4.5	60 PN 10:16, 65 PN10:16, 80 PN10:16, 3" BS10 Table ADE, 2.5" ANSI125, 3" ANSI125, 80AS2129 CD, 80 AS4087 E	20.0	40.0	4 - M12x115	12392/2	3.5
85.0	107.0	202.5	101.0	124.0	75.0 x 4.5	80 PN 10:16, 3"ANSI125, 3.5" BS10 Table AD, 3.5" BS10 Tabel E	20.0	40.0	4 - M12x115	12392/3	3.7
107.0	132.0	228.0	121.0	134.0	75.0 x 4.5	100 PN 10:16, 4" BS10 Tabel AD, 4" BS10 Table E, 4" AWWA C207 D, 100 AS2129 CD, 100 AS4087 E	20.0	40.0	4 - M12x125	12392/4	4.4
132.0	158.0	281.5	150.0	134.0	75.0 x 5	125 PN10:16, 150 PN10:16, 5" BS10 Table A, 5" BS10 Table DE, 6" BS10 Table A, 6" BS10 Table D, 6" BS10 Table E, 6" AWWA C207 D, 125 AS2129 CD, 150 AS2129 CD, 125 AS4087 E, 150 AS4087 E	20.0	40.0	4 - M12x125	12392/6	5.6
158.0	184.0	281.2	173.0	134.0	75.0 x 5	150 PN10:16, 6" BS10 Table A, 6" BS10 Table D, 6" BS10 Table E, 6" AWWA C207 D, 150 AS4087 E, 150 AS2129 CD, 125 As4087 E	20.0	40.0	4 - M12x125	12392/7	6.0
189.0	212.0	336.5	202.0	133.0	75.0 x 5	200 PN10:16, 8" BS10 Table AD, 8" AWWA C207 D, 200 AS2129 CD, 200 AS4087 E	25.0	40.0	4 - M12x125	12392/9	8.3
218.0	244.0	337.8	225.0	134.0	75.0 x 5	200 PN10:16, 8" BS10 Table AD, 8" AWWA C207 D, 200 AS2129 CD	25.0	50.0	4 - M12x125	12392/10	8.3
243.0	269.0	401.5	252.0	144.0	85.0 x 5	250 PN10:16, 250 AS4087 E	25.0	50.0	6 - M12x135	12392/11	10.8
266.0	295.0	402.1	277.0	146.0	85.0 x 5	250 PN10:16, 250 AS4087 E	25.0	50.0	6 - M12x135	12392/12	11.4
315.0	349.0	457.8	329.0	155.0	100.0 x 5	300 PN10:16, 12" BS10 Table D, 300 AS2129 CD	25.0	60.0	6 - M12x145	12392/14	14.8



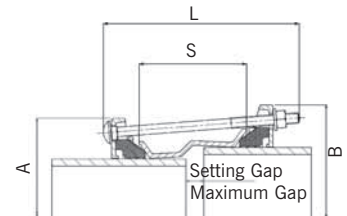


Coupling - Standard Sleeve

Nominal Size (mm)	Size Range (mm)		Diameter A (mm)		Overall Length L (mm)	Sleeve Length x Thickness (L) x (T)	Setting Gap (mm)	Max Gap (mm)	Bolts No x Dia x Length	Gasket Mould No.	Weight (kg)
	Min	Max	A	B							
DN40	47.9	59.5	149.5	183.0	183.0	100.0 x 4.5	20.0	40.0	2-M12x175	1637	3.1
DN50	57.0	74.0	154.5	185.0	185.0	95.0 x 4.5	20.0	40.0	4-M12x175	12392/1	3.0
DN65	63.0	85.0	173.5	185.0	185.0	95.0 x 4.5	20.0	40.0	4-M12x175	12392/2	3.6
DN80	85.0	107.0	195.5	185.0	185.0	95.0 x 4.5	20.0	40.0	4-M12x175	12392/3	4.1
DN100	107.0	132.0	224.5	185.0	185.0	95.0 x 4.5	20.0	40.0	4-M12x175	12392/4	4.8
DN125	132.0	158.0	254.5	185.0	185.0	95.0 x 5	20.0	40.0	4-M12x175	12392/6	6.0
DN150	158.0	184.0	280.5	195.0	195.0	95.0 x 5	20.0	40.0	4-M12x180	12392/7	6.9
DN175	189.0	212.0	306.5	230.0	230.0	130.0 x 5	25.0	50.0	4-M12x220	12392/9	9.4
DN200	218.0	244.0	342.5	230.0	230.0	130.0 x 5	25.0	50.0	4-M12x220	12392/10	10.9
DN225	243.0	269.0	367.5	230.0	230.0	130.0 x 5	25.0	50.0	6-M12x220	12392/11	12.4
DN250	266.0	295.0	399.5	230.0	230.0	130.0 x 5	25.0	50.0	6-M12x220	12392/12	14.6
DN300	315.0	349.0	462.5	235.0	235.0	130.0 x 5	25.0	50.0	8-M12x225	12392/14	19.4

Coupling - Long Sleeve

DN50	57.0	74.0	154.5	285.0	285.0	200.0 x 4.5	20.0	140.0	4 - M12x275	12392/1	4.2
DN65	63.0	85.0	173.5	285.0	285.0	190.0 x 4.5	20.0	130.0	4 - M12x275	12392/2	4.8
DN80	85.0	107.0	195.5	285.0	285.0	200.0 x 4.5	20.0	140.0	4 - M12x275	12392/3	5.7
DN100	107.0	132.0	224.5	285.0	285.0	190.0 x 4.5	20.0	130.0	4 - M12x275	12392/4	6.5
DN125	132.0	158.0	254.5	285.0	285.0	190.0 x 5	20.0	130.0	4 - M12x275	12392/6	8.2
DN150	158.0	184.0	280.5	285.0	285.0	190.0 x 5	20.0	130.0	4 - M12x275	12392/7	9.4
DN175	189.0	212.0	306.5	285.0	285.0	190.0 x 5	25.0	110.0	4 - M12x275	12392/9	11.1
DN200	218.0	244.0	342.5	285.0	285.0	190.0 x 5	25.0	110.0	4 - M12x275	12392/10	12.9
DN225	243.0	269.0	367.5	350.0	350.0	250.0 x 5	25.0	165.0	6 - M12x340	12392/11	16.9
DN250	266.0	295.0	399.5	350.0	350.0	250.0 x 5	25.0	165.0	6 - M12x340	12392/12	19.4
DN300	315.0	349.0	462.5	350.0	350.0	240.0 x 5	25.0	155.0	8 - M12x340	12392/14	24.8



Stepped Coupling

Size Range (mm)				Diameter (mm)		Overall Length L (mm)	Sleeve Length x Thickness (L) x (T)	Setting Gap (mm)	Max Gap (mm)	Bolts No x Dia x Length	Gasket Mould No.		Weight (kg)
Small End		Large End		A	B						Small End	Large End	
Min	Max	Min	Max										
57.0	74.0	63.0	85.0	154.5	173.5	210.0	110.0 x 4.5	20.0	40.0	4 - M12x200	12392/1	12392/2	3.5
57.0	74.0	85.0	107.0	154.5	195.5	210.0	110.0 x 4.5	20.0	40.0	4 - M12x200	12392/1	12392/3	3.9
63.0	85.0	85.0	107.0	173.5	195.5	210.0	110.0 x 4.5	20.0	40.0	4 - M12x200	12392/2	12392/3	4.2
85.0	107.0	107.0	132.0	195.5	224.5	210.0	110.0 x 4.5	20.0	40.0	4 - M12x200	12392/3	12392/4	4.8
107.0	132.0	132.0	158.0	224.5	254.5	220.0	120.0 x 4.5	20.0	40.0	4 - M12x210	12392/4	12392/6	6.2
132.0	158.0	158.0	184.0	254.5	280.5	220.0	120.0 x 5	20.0	40.0	4 - M12x210	12392/6	12392/7	7.2
158.0	184.0	189.0	212.0	280.5	306.5	230.0	130.0 x 5	25.0	50.0	4 - M12x220	12392/7	12392/9	8.8
189.0	212.0	218.0	244.0	306.5	342.5	230.0	130.0 x 5	25.0	50.0	4 - M12x220	12392/9	12392/10	10.4
218.0	244.0	243.0	269.0	366.5	367.5	230.0	130.0 x 5	25.0	50.0	4 - M12x220	12392/10	12392/11	12.0
243.0	269.0	266.0	295.0	367.5	399.5	230.0	130.0 x 5	25.0	50.0	6 - M12x220	12392/11	12392/12	13.7

Material Specification

Couplings, Stepped Couplings and Flange Adaptors

End Ring and Adaptor Body/Centre Sleeve

Ductile Iron to BS EN 1563:1997 Grade EN GJS-450-10

Gasket

EPDM compound Grade E to BS EN 681-1:1996, Type WA, WC
Nitrile compound to Grade G BS EN 682:2002, Type G

Tee Bolts/Bolts

Steel to BS EN ISO 898-1:1999 Property Class 4.8

Nuts

Steel to BS EN 4190:2001 Grade 4

Washers

Stainless Steel

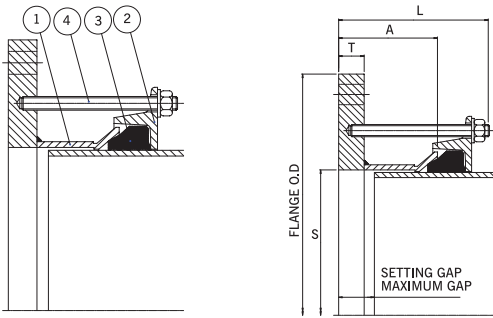




MaxiDaptor Assembly

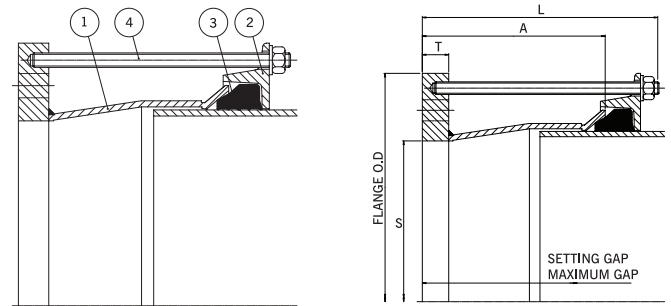
MaxiDaptor Type 1

- 1 = Body
- 2 = End Ring
- 3 = Gasket
- 4 = Bolts



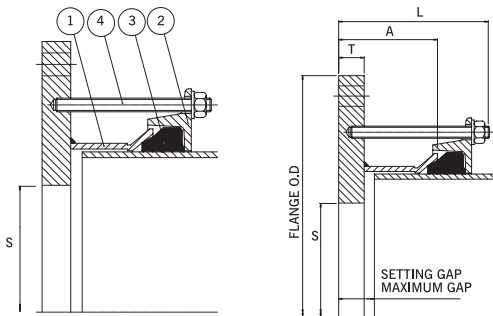
MaxiDaptor Type 3

- 1 = Body
- 2 = End Ring
- 3 = Gasket
- 4 = Bolts



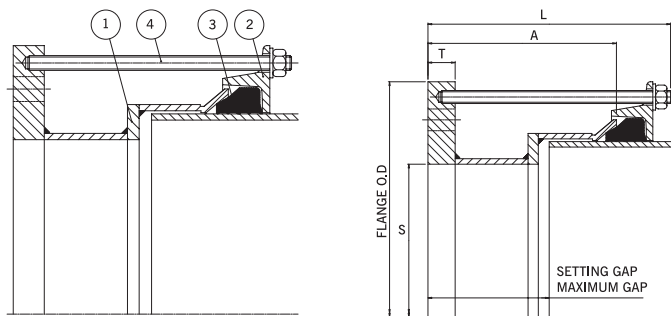
MaxiDaptor Type 2

- 1 = Body
- 2 = End Ring
- 3 = Gasket
- 4 = Bolts



MaxiDaptor Type 4

- 1 = Body
- 2 = End Ring
- 3 = Gasket
- 4 = Bolts



Pipe OD		Flange Details / Dimensions								Gasket Mould	Studs (No - Size x length)	Setting Gap		Weight (kg)
Min OD (mm)	Max OD (mm)	Nom	Spec	Flange OD (mm)	Flange Bore (mm)	Flange Thickness (mm)	Type	Sleeve length (mm)	Overall Length (mm)			Min (mm)	Max (mm)	
351.00	368.00	300	PN10	478.0	300.0	18.0	4	205.0	298.0	6002	6 - M12 x 290	130.0	153.0	37.8
351.00	368.00	300	PN16											
351.00	368.00	350	PN10	505.0	370.0	18.0	1	120.0	218.0	6002	8 - M12 x 205	45.0	68.0	32.7
351.00	368.00	350	PN10	505.0	350.0	18.0	2	120.0	218.0	6002	8 - M12 x 205	45.0	68.0	30.0
351.00	368.00	350	PN16	520.0	370.0	18.0	1	120.0	218.0	6002	8 - M12 x 205	45.0	68.0	35.0
367.00	384.00	300	PN10	494.0	300.0	18.0	4	235.0	313.0	6097	6 - M12 x 305	160.0	183.0	42.7
367.00	384.00	350	PN10	505.0	350.0	18.0	2	120.0	213.0	6097	8 - M12 x 205	45.0	68.0	30.6
374.50	391.50	300	PN10	502.0	300.0	18.0	4	205.0	298.0	1659	6 - M12 x 290	130.0	153.0	42.3
374.50	391.50	350	PN10	505.0	393.5	18.0	1	120.0	218.0	1659	8 - M12 x 205	45.0	68.0	30.9
374.50	391.50	350	PN10	505.0	350.0	18.0	2	120.0	213.0	1659	8 - M12 x 205	45.0	68.0	30.9
374.50	391.50	400	PN10	565.0	393.5	25.0	1	120.0	218.0	1659	8 - M12 x 205	45.0	68.0	40.5
374.50	391.50	300	PN16	502.0	300.0	18.0	4	240.0	333.0	1659	6 - M12 x 325	160.0	183.0	44.3
374.50	391.50	350	PN16	520.0	393.5	18.0	1	120.0	218.0	1659	8 - M12 x 205	45.0	68.0	32.6
374.50	391.50	350	PN16	520.0	350.0	18.0	2	120.0	218.0	1659	8 - M12 x 205	45.0	68.0	32.0
374.50	391.50	400	PN16	580.0	393.5	25.0	1	120.0	218.0	1659	8 - M12 x 205	45.0	68.0	42.7
394.30	411.30	350	PN10	522.0	350.0	18.0	3	205.0	303.0	1766	8 - M12 x 290	130.0	153.0	40.0
394.30	411.30	350	PN10	522.0	397.5	18.0	3	205.0	303.0	1766	8 - M12 x 290	130.0	153.0	37.9
394.30	411.30	400	PN10	565.0	413.5	25.0	1	120.0	220.0	1766	8 - M12 x 205	45.0	68.0	38.8
394.30	411.30	400	PN10	565.0	400.0	25.0	2	120.0	220.0	1766	8 - M12 x 205	45.0	68.0	40.5



VIKING JOHNSON

MAXIFIT

MaxiDaptor Assembly

Pipe OD		Flange Details / Dimensions								Gasket Mould	Studs (No - Size x length)	Setting Gap		Weight (kg)
Min OD (mm)	Max OD (mm)	Nom	Spec	Flange OD (mm)	Flange Bore (mm)	Flange Thickness (mm)	Type	Sleeve length (mm)	Overall Length (mm)			Min (mm)	Max (mm)	
394.30	411.30	350	PN16	522.0	397.5	18.0	3	205.0	303.0	1766	8 - M12 x 290	130.0	153.0	39.8
394.30	411.30	350	PN16	522.0	350.0	18.0	3	205.0	298.0	1766	8 - M12 x 290	130.0	153.0	39.0
394.30	411.30	400	PN16	580.0	413.5	25.0	1	120.0	220.0	1766	8 - M12 x 205	45.0	68.0	41.0
404.80	421.80	350	PN10	532.0	350.0	18.0	4	235.0	313.0	1767	8 - M12 x 305	160.0	183.0	45.5
404.80	421.80	400	PN10	565.0	424.0	18.0	1	120.0	218.0	1767	8 - M12 x 205	45.0	68.0	37.9
404.80	421.80	400	PN10	565.0	400.0	18.0	2	120.0	213.0	1767	8 - M12 x 205	45.0	68.0	34.6
404.80	421.80	400	PN16	580.0	424.0	18.0	1	120.0	218.0	1767	8 - M12 x 205	45.0	68.0	39.6
404.80	421.80	400	PN16	580.0	400.0	18.0	2	120.0	213.0	1767	8 - M12 x 205	45.0	68.0	36.2
418.20	435.20	400	PN10	565.0	437.0	18.0	1	120.0	218.0	1784	8 - M12 x 205	45.0	68.0	36.7
418.20	435.20	400	PN10	565.0	400.0	18.0	2	120.0	213.0	1784	8 - M12 x 205	45.0	68.0	35.1
418.20	435.20	400	PN16	580.0	437.0	18.0	1	120.0	218.0	1784	8 - M12 x 205	45.0	68.0	38.9
425.00	442.00	350	PN10	552.0	350.0	18.0	4	235.0	313.0	1662	8 - M12 x 305	160.0	183.0	49.8
425.00	442.00	400	PN10	565.0	444.0	18.0	1	120.0	218.0	1662	8 - M12 x 205	45.0	68.0	35.5
425.00	442.00	400	PN10	565.0	400.0	18.0	2	120.0	218.0	1662	8 - M12 x 205	45.0	68.0	35.4
425.00	442.00	400	PN16	580.0	444.0	18.0	1	120.0	218.0	1662	8 - M12 x 205	45.0	68.0	33.7
425.00	442.00	400	PN16	580.0	444.0	18.0	1	220.0	298.0	1662	8 - M12 x 290	45.0	153.0	40.7
425.00	442.00	400	PN16	580.0	400.0	18.0	2	120.0	218.0	1662	8 - M12 x 205	45.0	68.0	36.6
434.40	451.40	400	PN10	565.0	448.0	18.0	3	205.0	298.0	1768	8 - M12 x 290	130.0	153.0	38.6
434.40	451.40	400	PN10	565.0	400.0	18.0	3	205.0	298.0	1768	8 - M12 x 290	130.0	153.0	42.8
434.40	451.40	400	PN16	580.0	448.0	18.0	3	205.0	303.0	1768	8 - M12 x 290	130.0	153.0	45.7
447.20	464.20	400	PN10	575.0	448.0	18.0	3	205.0	298.0	1769	8 - M12 x 290	130.0	153.0	40.1
447.20	464.20	400	PN10	575.0	400.0	18.0	3	205.0	298.0	1769	8 - M12 x 290	130.0	153.0	44.3
447.20	464.20	400	PN16	580.0	400.0	18.0	3	205.0	303.0	1769	8 - M12 x 290	130.0	153.0	44.6
447.20	464.20	400	PN16	580.0	448.0	18.0	3	205.0	303.0	1769	8 - M12 x 290	130.0	153.0	45.9
455.00	472.00	400	PN10	582.0	400.0	18.0	4	240.0	333.0	6003	8 - M12 x 325	165.0	188.0	51.3
455.00	472.00	450	PN10	615.0	474.0	23.0	1	120.0	218.0	6003	10 - M12 x 205	45.0	68.0	41.1
455.00	472.00	450	PN10	615.0	450.0	23.0	2	120.0	213.0	6003	10 - M12 x 205	45.0	68.0	43.3
455.00	472.00	400	PN16	582.0	400.0	18.0	3	205.0	298.0	6003	8 - M12 x 290	130.0	153.0	44.9
455.00	472.00	450	PN16	640.0	474.0	23.0	1	120.0	218.0	6003	10 - M12 x 205	45.0	68.0	45.6
455.00	472.00	450	PN16	640.0	450.0	23.0	2	120.0	218.0	6003	10 - M12 x 205	45.0	68.0	47.2
462.50	479.50	400	PN16	590.0	440.0	25.0	3	205.0	303.0	10511/40	8 - M12 x 290	130.0	153.0	67.1
467.00	484.00	400	PN10	594.0	400.0	23.0	4	205.0	303.0	6073	8 - M12 x 290	130.0	153.0	54.7
476.00	493.00	400	PN10	603.0	400.0	23.0	4	245.0	338.0	1770	8 - M12 x 325	170.0	193.0	62.1
476.00	493.00	450	PN10	615.0	495.0	23.0	1	120.0	218.0	1770	10 - M12 x 205	45.0	68.0	38.7
476.00	493.00	450	PN10	615.0	450.0	23.0	2	120.0	218.0	1770	10 - M12 x 205	45.0	68.0	44.2
476.00	493.00	500	PN10	670.0	495.0	25.0	1	120.0	218.0	1770	10 - M12 x 205	45.0	68.0	50.3
476.00	493.00	400	PN16	603.0	400.0	23.0	4	255.0	338.0	1770	8 - M12 x 325	180.0	203.0	62.3
476.00	493.00	450	PN16	640.0	495.0	23.0	1	120.0	218.0	1770	10 - M12 x 205	45.0	68.0	43.4
487.30	504.30	400	PN10	615.0	400.0	23.0	4	245.0	338.0	1771	8 - M12 x 325	170.0	193.0	65.4
487.30	504.30	450	PN10	615.0	499.0	23.0	3	205.0	303.0	1771	10 - M12 x 290	130.0	153.0	48.1
487.30	504.30	450	PN10	615.0	450.0	23.0	3	205.0	303.0	1771	10 - M12 x 290	130.0	153.0	52.4
487.30	504.30	450	PN16	640.0	506.5	23.0	1	120.0	218.0	1771	10 - M12 x 205	45.0	68.0	42.2
487.30	504.30	500	PN16	715.0	506.5	23.0	1	120.0	218.0	1771	10 - M12 x 205	45.0	68.0	57.6
501.90	518.90	450	PN10	630.0	485.5	23.0	3	205.0	303.0	1772	10 - M12 x 290	130.0	153.0	48.7
501.90	518.90	450	PN10	630.0	450.0	23.0	3	205.0	303.0	1772	10 - M12 x 290	130.0	153.0	54.8
501.90	518.90	500	PN10	670.0	521.0	23.0	1	120.0	218.0	1772	10 - M12 x 205	45.0	68.0	45.4
501.90	518.90	500	PN10	670.0	500.0	23.0	2	120.0	218.0	1772	10 - M12 x 205	45.0	68.0	48.5
501.90	518.90	450	PN16	640.0	485.5	23.0	3	205.0	303.0	1772	10 - M12 x 290	130.0	153.0	53.7
501.90	518.90	500	PN16	715.0	521.0	23.0	1	120.0	218.0	1772	10 - M12 x 205	45.0	68.0	55.8
501.90	518.90	500	PN16	715.0	500.0	23.0	2	120.0	218.0	1772	10 - M12 x 205	45.0	68.0	54.6
510.00	527.00	450	PN10	637.0	494.0	23.0	3	205.0	303.0	6004	10 - M12 x 290	130.0	153.0	49.0
510.00	527.00	450	PN10	637.0	450.0	23.0	3	205.0	303.0	6004	10 - M12 x 290	130.0	153.0	56.5
510.00	527.00	500	PN10	670.0	500.0	23.0	2	120.0	220.0	6004	10 - M12 x 205	45.0	68.0	48.8
510.00	527.00	450	PN16	640.0	494.0	23.0	3	205.0	303.0	6004	10 - M12 x 290	130.0	153.0	53.0
510.00	527.00	500	PN16	715.0	500.0	23.0	2	120.0	218.0	6004	10 - M12 x 205	45.0	68.0	56.5



VIKING JOHNSON

MAXIFIT

MaxiDaptor Assembly

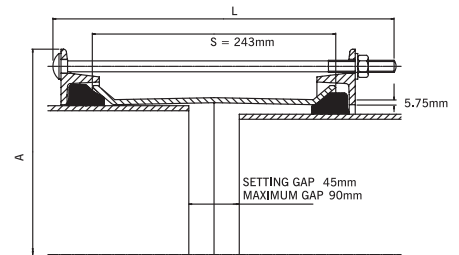
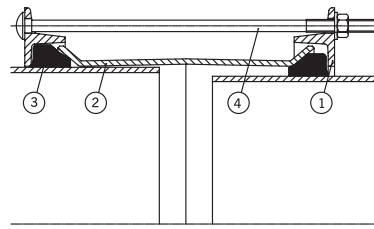
Pipe OD		Flange Details / Dimensions								Gasket Mould	Studs (No - Size x length)	Setting Gap		Weight (kg)
Min OD (mm)	Max OD (mm)	Nom	Spec	Flange OD (mm)	Flange Bore (mm)	Flange Thickness (mm)	Type	Sleeve length (mm)	Overall Length (mm)			Min (mm)	Max (mm)	
527.00	544.00	500	PN10	670.0	546.0	23.0	1	120.0	218.0	1773	10 - M12 x 205	45.0	68.0	42.9
527.00	544.00	500	PN10	670.0	500.0	23.0	2	120.0	218.0	1773	10 - M12 x 205	45.0	68.0	48.5
527.00	544.00	500	PN16	715.0	546.0	23.0	1	120.0	218.0	1773	10 - M12 x 205	45.0	68.0	52.5
527.00	544.00	500	PN16	715.0	500.0	23.0	2	120.0	218.0	1773	10 - M12 x 205	45.0	68.0	57.2
540.10	557.10	450	PN10	667.0	450.0	23.0	4	250.0	338.0	1774	10 - M12 x 325	175.0	198.0	70.3
540.10	557.10	500	PN10	670.0	550.0	23.0	3	205.0	303.0	1774	10 - M12 x 290	130.0	153.0	51.5
540.10	557.10	500	PN10	670.0	500.0	30.0	3	205.0	310.0	1774	10 - M12 x 290	130.0	153.0	68.4
540.10	557.10	500	PN16	715.0	559.0	23.0	1	120.0	218.0	1774	10 - M12 x 205	45.0	68.0	50.5
555.30	572.30	500	PN10	684.0	550.0	23.0	3	205.0	303.0	1775	10 - M12 x 290	130.0	153.0	54.3
555.30	572.30	500	PN10	684.0	500.0	23.0	3	205.0	303.0	1775	10 - M12 x 290	130.0	153.0	61.1
555.30	572.30	500	PN16	715.0	550.0	23.0	3	205.0	303.0	1775	10 - M12 x 290	130.0	153.0	62.0
555.30	572.30	600	PN16	840.0	649.5	25.0	1	120.0	218.0	1775	10 - M12 x 205	45.0	68.0	64.0
566.50	583.50	500	PN10	694.0	550.0	23.0	3	205.0	303.0	1776	10 - M12 x 290	130.0	153.0	59.1
566.50	583.50	500	PN10	694.0	500.0	23.0	3	205.0	303.0	1776	10 - M12 x 290	130.0	153.0	63.4
566.50	583.50	500	PN16	715.0	550.0	23.0	3	205.0	303.0	1776	10 - M12 x 290	130.0	153.0	62.2
566.50	583.50	500	PN16	715.0	500.0	23.0	3	205.0	303.0	1776	10 - M12 x 290	130.0	153.0	66.5
582.20	599.20	500	PN10	709.0	540.0	23.0	4	205.0	303.0	1777	10 - M12 x 290	130.0	153.0	66.5
582.20	599.20	500	PN10	709.0	500.0	23.0	4	205.0	303.0	1777	10 - M12 x 290	130.0	153.0	72.2
582.20	599.20	600	PN10	780.0	600.0	25.0	2	120.0	218.0	1777	10 - M12 x 205	45.0	68.0	60.8
582.20	599.20	500	PN16	715.0	560.0	23.0	4	205.0	303.0	1777	10 - M12 x 290	130.0	153.0	63.4
582.20	599.20	600	PN16	840.0	601.0	25.0	1	120.0	218.0	1777	10 - M12 x 205	45.0	68.0	74.3
601.00	618.00	500	PN10	728.0	500.0	23.0	4	255.0	338.0	6020	10 - M12 x 325	180.0	203.0	80.7
601.00	618.00	600	PN10	780.0	600.0	25.0	2	120.0	218.0	6020	10 - M12 x 205	45.0	68.0	58.8
601.00	618.00	600	PN16	840.0	620.0	25.0	1	120.0	218.0	6020	10 - M12 x 205	45.0	68.0	73.1
601.00	618.00	600	PN16	840.0	600.0	25.0	2	120.0	218.0	6020	10 - M12 x 205	45.0	68.0	75.3
613.00	630.00	600	PN16	840.0	632.0	23.0	1	120.0	218.0	6019	10 - M12 x 205	45.0	68.0	66.4
618.00	635.00	600	PN16	840.0	637.0	23.0	1	120.0	218.0	6025	10 - M12 x 205	45.0	68.0	65.6
630.00	647.00	600	PN10	780.0	649.0	23.0	1	120.0	218.0	1778	10 - M12 x 205	45.0	68.0	51.3
630.00	647.00	600	PN10	780.0	600.0	23.0	2	120.0	218.0	1778	10 - M12 x 205	45.0	68.0	63.4
630.50	647.50	600	PN16	840.0	649.5	23.0	1	120.0	218.0	1778	10 - M12 x 205	45.0	68.0	66.1
630.50	647.50	600	PN16	840.0	600.0	23.0	2	120.0	218.0	1778	10 - M12 x 205	45.0	68.0	72.5
645.20	662.20	600	PN10	780.0	649.0	23.0	3	205.0	303.0	1779	10 - M12 x 290	130.0	153.0	63.1
645.20	662.20	600	PN10	780.0	600.0	23.0	3	205.0	303.0	1779	10 - M12 x 290	130.0	153.0	70.3
645.20	662.20	600	PN16	840.0	664.0	23.0	1	120.0	218.0	1779	10 - M12 x 205	45.0	68.0	63.7
662.00	679.00	600	PN10	790.0	653.0	23.0	3	205.0	303.0	1780	10 - M12 x 290	130.0	153.0	63.4
662.00	679.00	600	PN10	715.0	560.0	23.0	4	205.0	298.0	1780	10 - M12 x 290	130.0	153.0	72.8
662.00	679.00	600	PN16	840.0	681.0	23.0	1	120.0	218.0	1780	10 - M12 x 205	45.0	68.0	60.9
675.00	692.00	600	PN10	802.0	653.0	23.0	3	205.0	303.0	6005	10 - M12 x 290	130.0	153.0	64.4
675.00	692.00	600	PN10	802.0	600.0	23.0	3	205.0	303.0	6005	10 - M12 x 290	130.0	153.0	75.8
675.00	692.00	600	PN16	840.0	653.0	23.0	3	205.0	303.0	6005	10 - M12 x 290	130.0	153.0	78.0
695.00	712.00	700	PN10	895.0	714.0	23.0	1	120.0	218.0	6063	12 - M12 x 205	45.0	68.0	71.3
351.00	368.00	14"	ANSI150	533.0	370.0	25.0		120.0	218.0	6002	6 - M12 x 205	45.0	68.0	37.0
374.50	391.50	14"	ANSI150	533.0	393.5	25.0		120.0	218.0	1659	6 - M12 x 205	45.0	68.0	35.2
386.00	403.00	14"	ANSI150	533.0	397.5	25.0		205.0	218.0	6035	6 - M12 x 290	130.0	153.0	41.4
394.30	411.30	14"	ANSI150	533.0	397.5	25.0		205.0	218.0	1766	6 - M12 x 290	130.0	153.0	41.2
404.80	421.80	16"	ANSI150	597.0	424.0	25.0		120.0	218.0	1767	8 - M12 x 205	45.0	68.0	43.6
425.00	442.00	16"	ANSI150	597.0	444.0	25.0		120.0	218.0	1662	8 - M12 x 205	45.0	68.0	41.6
434.40	451.40	16"	ANSI150	597.0	453.5	25.0		120.0	303.0	1768	8 - M12 x 205	45.0	68.0	41.2
439.00	456.00	16"	ANSI150	597.0	458.0	25.0		120.0	303.0	6036	8 - M12 x 205	45.0	68.0	40.8
447.20	464.20	16"	ANSI150	597.0	448.0	25.0		205.0	303.0	1769	8 - M12 x 290	130.0	153.0	48.9
455.00	472.00	18"	ANSI150	635.0	474.0	25.0		120.0	303.0	6003	8 - M12 x 205	45.0	68.0	45.7
487.30	504.30	18"	ANSI150	635.0	499.0	25.0		205.0	303.0	1771	8 - M12 x 290	130.0	153.0	50.9
492.00	509.00	18"	ANSI150	635.0	499.0	25.0		205.0	303.0	6037	8 - M12 x 290	130.0	153.0	51.0
501.90	518.90	18"	ANSI150	635.0	499.0	25.0		205.0	303.0	1772	8 - M12 x 290	130.0	153.0	52.6



MaxiFit Coupling Assembly

MaxiFit Coupling

- 1 = Body
- 2 = End Ring
- 3 = Gasket
- 4 = Bolts



Pipe OD		Dimensions		Gasket Mould	Bolts (No - Size x Length)	Overall Length	Weight (kg)
Min (mm)	Max (mm)	B (Overall Diameter) (mm)	Bolt PCD				
351.0	368.0	478.0	450.0	6002	8 - M12 x 340	348	32.4
374.5	391.5	501.5	473.5	1659	8 - M12 x 340	348	34.2
386.0	403.0	513.0	485.0	6035	8 - M12 x 340	348	35.2
394.3	411.3	521.5	493.5	1766	8 - M12 x 340	348	35.6
404.8	421.8	532.0	504.0	1767	8 - M12 x 340	348	36.4
412.0	429.0	539.0	511.0	6023	10 - M12 x 340	348	37.6
418.2	435.2	545.0	517.0	1784	8 - M12 x 340	348	37.6
425.0	442.0	552.0	524.0	1662	8 - M12 x 340	348	38.2
434.5	451.5	561.5	533.5	1768	10 - M12 x 340	348	39.6
439.0	456.0	566.0	538.0	6036	10 - M12 x 340	348	40.2
447.2	464.2	574.0	546.0	1769	10 - M12 x 340	348	40.9
455.0	472.0	582.0	554.0	6003	10 - M12 x 340	348	41.2
467.0	484.0	594.0	566.0	6073	10 - M12 x 340	348	39.3
476.0	493.0	603.0	575.0	1770	10 - M12 x 340	348	43.0
487.0	504.3	614.5	586.5	1771	10 - M12 x 340	348	43.9
492.0	509.0	619.0	591.0	6037	10 - M12 x 340	348	44.3
501.9	518.9	629.0	601.0	1772	10 - M12 x 340	348	44.5
510.0	527.0	637.0	609.0	6004	10 - M12 x 340	348	44.4
515.0	532.0	642.0	614.0	6024	10 - M12 x 340	348	46.1
527.0	544.0	654.0	626.0	1773	12 - M12 x 340	348	47.7
540.1	557.1	667.0	639.0	1774	10 - M12 x 340	348	47.8
546.0	563.0	673.0	645.0	6038	12 - M12 x 340	348	48.5
555.3	572.3	682.5	654.5	1775	12 - M12 x 340	348	49.8
565.0	582.0	692.0	664.0	1776	12 - M12 x 340	348	51.2
582.2	599.2	709.0	681.0	1777	12 - M12 x 340	348	51.7
593.0	610.0	720.0	692.0	6021	12 - M12 x 340	348	52.4
601.0	618.0	728.0	700.0	6020	12 - M12 x 340	348	52.9
613.0	630.0	740.0	712.0	6019	12 - M12 x 340	348	53.8
618.0	635.0	745.0	717.0	6025	12 - M12 x 340	348	54.6
630.0	647.0	757.0	729.0	1778	14 - M12 x 340	348	56.1
645.2	662.2	772.0	744.0	1779	14 - M12 x 340	348	57.2
654.0	671.0	781.0	753.0	6039	14 - M12 x 340	348	57.9
662.0	679.0	789.0	761.0	1780	14 - M12 x 340	348	58.4
675.0	692.0	802.0	774.0	6005	14 - M12 x 340	348	59.0

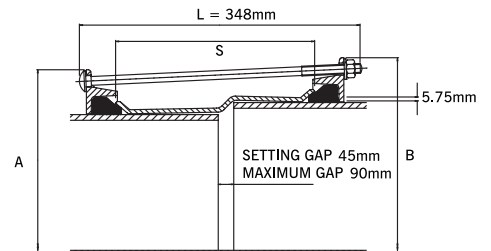
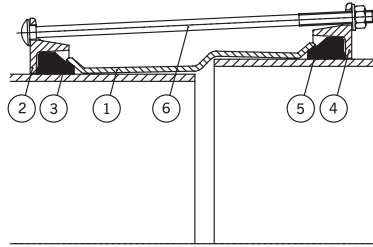
Working Pressure = 16 bar



MaxiFit Stepped Coupling - Type 1 Expanded Sleeve

MaxiFit Stepped Coupling

- 1 = Centre Sleeve
- 2 = End Ring
- 3 = Gasket
- 4 = Bolt
- 5 = End Ring
- 6 = Gasket
- 7 = Bolt



Pipe OD Small End		Pipe OD Large End		Gasket Mould		Bolts (No - Size x length)	B (Overall Diameter)		Overall Length (mm)	Weight (kg)
Min OD (mm)	Max OD (mm)	Min OD (mm)	Max OD (mm)	Small End	Large End		Small End (mm)	Large End (mm)		
374.5	391.5	394.3	411.3	1659	1766	8 - M12 x 340	501.5	521.5	348	34.5
374.5	391.5	404.8	421.8	1659	1767	8 - M12 x 340	501.5	532.0	348	34.8
374.5	391.5	418.2	435.2	1659	1784	10 - M12 x 340	501.5	545.0	348	35.5
386.0	403.0	412.0	429.0	6035	6023	10 - M12 x 340	513.0	539.0	348	36.2
394.3	411.3	418.2	435.2	1766	1784	10 - M12 x 340	521.5	545.0	348	36.5
404.8	421.8	418.2	435.2	1767	1784	10 - M12 x 340	532.0	545.0	348	37.4
404.8	421.8	425.0	442.0	1767	1662	10 - M12 x 340	532.0	552.0	348	37.5
425.0	442.0	434.5	451.4	1662	1768	10 - M12 x 340	552.0	561.5	348	38.9
425.0	442.0	447.2	464.2	1662	1769	10 - M12 x 340	552.0	574.0	348	39.1
425.0	442.0	455.0	472.0	1662	6003	10 - M12 x 340	552.0	582.0	348	39.5
439.0	456.0	467.0	484.0	6036	6073	10 - M12 x 340	566.0	594.0	348	40.7
455.0	472.0	467.0	484.0	6003	6073	10 - M12 x 340	582.0	594.0	348	41.6
476.0	493.0	487.3	504.3	1770	1771	10 - M12 x 340	603.0	614.5	348	42.7
476.0	493.0	501.9	518.9	1770	1772	10 - M12 x 340	603.0	629.0	348	43.0
476.0	493.0	510.0	527.0	1770	6004	10 - M12 x 340	603.0	637.0	348	43.6
492.0	509.0	510.0	527.0	6037	6004	10 - M12 x 340	619.0	637.0	348	44.6
492.0	509.0	527.0	544.0	6037	1773	12 - M12 x 340	619.0	654.0	348	45.4
501.9	518.9	527.0	544.0	1772	1773	12 - M12 x 340	629.0	654.0	348	46.0
510.0	527.0	527.0	544.0	6004	1773	12 - M12 x 340	637.0	654.0	348	46.5
527.0	544.0	540.1	557.1	1773	1774	12 - M12 x 340	654.0	667.0	348	47.4
527.0	544.0	555.3	572.3	1773	1775	12 - M12 x 340	654.0	682.5	348	47.6
527.0	544.0	566.5	583.5	1773	1776	12 - M12 x 340	654.0	693.5	348	47.8
527.0	544.0	573.0	590.0	1773	6129	12 - M12 x 340	654.0	700.0	348	47.9
527.0	544.0	582.2	599.2	1773	1777	12 - M12 x 340	654.0	709.0	348	48.0
546.0	563.0	590.5	607.5	6038	6074	12 - M12 x 340	673.0	717.5	348	49.8
598.0	615.0	630.0	647.0	6130	1778	14 - M12 x 340	725.0	757.0	348	54.0
601.0	618.0	630.0	647.0	6020	1778	14 - M12 x 340	728.0	757.0	348	54.3
601.0	618.0	645.2	662.2	6020	1779	14 - M12 x 340	728.0	772.0	348	54.5
618.0	635.0	630.0	647.0	6025	1778	14 - M12 x 340	745.0	757.0	348	55.3
630.0	647.0	645.2	662.2	1778	1779	14 - M12 x 340	757.0	772.0	348	55.8
630.0	647.0	662.0	679.0	1778	1780	14 - M12 x 340	757.0	789.0	348	56.1
630.0	647.0	675.0	692.0	1778	6005	14 - M12 x 340	757.0	802.0	348	57.0
654.0	671.0	710.0	727.0	6039	6075	14 - M12 x 340	781.0	837.0	348	58.9

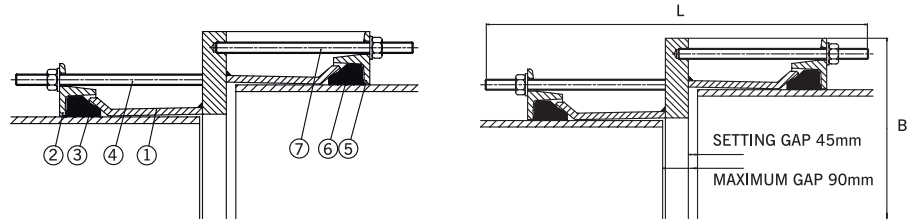
Working Pressure = 16 bar



MaxiFit Stepped Coupling

MaxiFit Stepped Coupling - Type 2 Make up Ring

- 1 = Centre Sleeve
- 2 = End Ring
- 3 = Gasket
- 4 = Bolt
- 5 = End Ring
- 6 = Gasket
- 7 = Bolt



Pipe OD Small End		Pipe OD Large End		Gasket Mould		Stud Details		Overall		Weight (kg)
Min OD (mm)	Max OD (mm)	Min OD (mm)	Max OD (mm)	Small End	Large End	Small End	Large End	Diameter (mm)	Length (mm)	
						(No - Size x length)	(No - Size x length)			
351.0	368.0	374.5	391.5	6002	1659	8 - M12 x 205	8 - M12 x 205	502.0	410	47.0
367.0	384.0	374.5	391.5	6097	1659	8 - M12 x 205	8 - M12 x 205	502.0	410	46.6
394.3	411.3	404.8	421.8	1766	1767	8 - M12 x 205	8 - M12 x 205	532.0	410	49.7
374.5	391.5	412.0	429.0	1659	6023	8 - M12 x 205	10 - M12 x 205	539.0	410	56.5
374.5	391.5	425.0	442.0	1659	1662	8 - M12 x 205	10 - M12 x 205	552.0	411	59.1
394.3	411.3	425.0	442.0	1766	1662	8 - M12 x 205	10 - M12 x 205	552.0	410	53.0
412.0	429.0	425.0	442.0	6023	1662	10 - M12 x 205	10 - M12 x 205	552.0	410	52.6
404.8	421.8	434.5	451.5	1767	1768	8 - M12 x 205	10 - M12 x 205	562.0	420	65.2
418.2	435.2	434.5	451.5	1784	1768	10 - M12 x 205	10 - M12 x 205	561.5	411	53.3
404.8	421.8	439.0	456.0	1767	6036	8 - M12 x 205	10 - M12 x 205	566.0	415	59.4
447.2	464.4	455.0	472.0	1769	6003	10 - M12 x 205	10 - M12 x 205	582.0	411	55.8
425.0	442.0	476.0	493.0	1662	1770	10 - M12 x 205	10 - M12 x 205	603.0	411	66.2
447.2	464.2	476.0	493.0	1769	1770	10 - M12 x 205	10 - M12 x 205	603.0	410	59.0
425.0	442.0	487.0	504.0	1662	1771	10 - M12 x 205	10 - M12 x 205	614.5	411	68.7
476.0	493.0	527.0	544.0	1770	1773	10 - M12 x 205	12 - M12 x 205	654.0	415	72.9
501.9	518.9	540.1	557.1	1772	1774	10 - M12 x 205	12 - M12 x 205	667.0	411	82.6
425.0	442.0	555.3	572.3	1662	1775	10 - M12 x 205	12 - M12 x 205	683.0	421	95.6
425.0	442.0	565.0	582.0	1662	1776	10 - M12 x 205	12 - M12 x 205	692.0	422	99.0
565.0	582.0	582.2	599.2	1776	1777	12 - M12 x 205	12 - M12 x 205	709.0	401	70.6
527.0	544.0	598.0	615.0	1773	6130	12 - M12 x 205	12 - M12 x 205	725.0	413	87.6
527.0	544.0	601.0	618.0	1773	6020	12 - M12 x 205	12 - M12 x 205	728.0	417	88.8
527.0	544.0	630.0	647.0	1773	1778	12 - M12 x 205	14 - M12 x 205	757.0	422	105.0
582.2	599.2	630.0	647.0	1777	1778	12 - M12 x 205	14 - M12 x 205	757.0	421	87.0
598.0	615.0	630.0	647.0	6130	1778	14 - M12 x 205	14 - M12 x 205	757.0	411	84.0
601.0	618.0	630.0	647.0	6020	1778	14 - M12 x 205	14 - M12 x 205	757.0	411	83.4
601.0	618.0	675.0	692.0	6020	6005	14 - M12 x 205	14 - M12 x 205	802.0	419	103.0
630.0	647.0	710.0	727.0	1778	6075	14 - M12 x 205	14 - M12 x 205	837.0	420	110.0

Working Pressure = 16 bar

Centre Sleeve/End Rings*

SG Ductile Iron to BS EN 1563:1997
Symbol EN-GJS-450-10 or
Malleable Cast Iron to BS EN 1562:1997
Symbol EN-GJMB-350-10 or Rolled Steel to
BS EN 10025-2:2004 Grade S275

MaxiThread/MaxStop*

SG Ductile Iron to BS EN 1563:1997
Symbol EN-GJS-450-10 or Malleable Cast Iron
to BS EN 1562:1997 Symbol EN-GJMB-350-
10 Thread Form (BSP) to BS 21:1985

Flange Adaptor Body*

SG Ductile Iron to BS EN 1563:1997
Symbol EN-GJS-450-10 or Malleable Cast Iron
to BS EN 1562:1997 Symbol EN-GJMB-350-
10 Mild Steel to BS EN 10025-2:2004
Grade S275

Bolts

to BS EN ISO 898-1:1999 Property Class 4.8

Nuts

to BS 4190:2001 Grade 4

Washers

Material to BS1449:PT2:1983 Grade 304 S15
Flange Connecting Bolts (MaxiDaptor Plus)
Hexagon bolts, c/w nut and two washers
Bolts: to BS EN ISO 898-1:1999 Property
Class 4.8

Nuts: BS 4190:2001:Grade 4.0

Washers: U.TI M20 Bolts, BS1449:PT2:1983
Grade 304 S15 M22 and above BS EN 10083:
PT1:1991 Grade C22E

Gasket

EPDM Grade 'E' to BS EN 681-1:1996 Type
WA WRAS listed, or Nitrile Grade 'G' to BS
2494:1990:Type G 'E' temperature range:
-40°C to +90°C. Suitable for water, sewage,
many strong and oxidising chemicals, food
applications. (Not suitable for fluctuating
temperature, e.g. heating systems). 'G'
temperature range: -20°C to +100°C.

Suitable for: natural gas, petroleum products,
low aromatic fuels and compressed air.

Coating

Flange adaptor body, centre sleeve, end rings
are coated in Rilsan Nylon 11 to WIS 4-52-01
(Part 1).

Bolts and 'T' Bolts and Nuts Zinc plated to BS
EN/12329:2000 followed by Rilsan Nylon
11 for double protection against corrosion,
or Sheraplex to WIS 4-52-03. Washers are
Stainless Steel to BS1449:Part 2:1983 Grade
304 S15

* Materials of construction dependent upon size, and at the discretion of Viking Johnson.