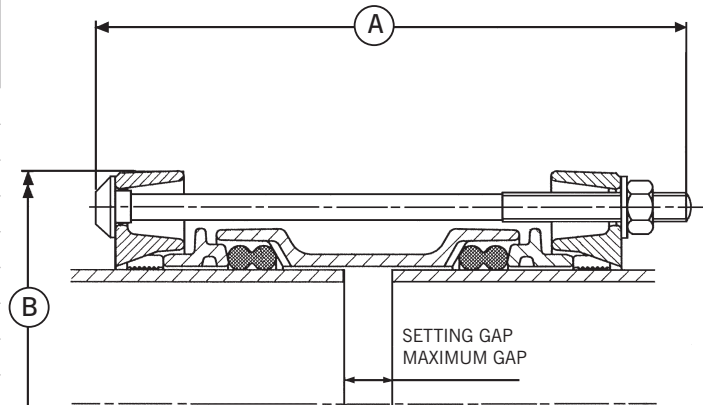




AquaFast 63mm-315mm

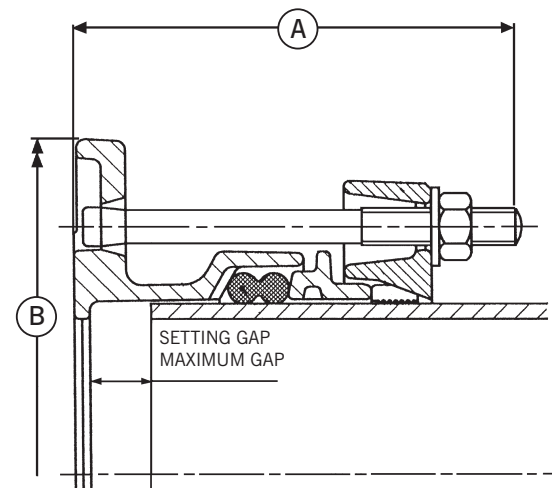
AquaFast coupling assembly

Pipe OD	Bolts No. size	Dimensions		Setting Gap	Max Gap	Weight Kg
		A max	B dia			
63	2-M12x250	257	141.5	20	30	3
75	2-M12x250	257	153.5	20	30	3.3
90	2-M12x250	257	170	20	30	3.9
110	2-M12x250	257	190.5	20	30	4.7
125	2-M12x250	257	207	20	30	5.2
140	4-M12x250	257	222	20	30	6.2
160	4-M12x250	257	242	20	30	9.5
180	4-M12x375	382	264	30	50	13.6
200	4-M12x375	382	292	30	50	14.8
225	4-M16x385	395	323	30	50	18.4
250	6-M16x385	395	351	30	50	24.1
315	6-M16x385	395	417	30	50	29.2



AquaFast flange adaptor assembly

Pipe OD	Flange Drillings	Tee Bolts/ No. Size	Dimensions		Setting Gap	Max Gap	Weight Kg
			A Max	B dia			
63	50/65 PN10,16	2-M12x135	144	185	20	25	3.7
75	65/80 PN10,16	2-M12x135	144	200	20	25	4.3
75	60 PN10,16	2-M12x135	144	200	20	25	4.3
90	65/80 PN10,16	2-M12x135	144	200	20	25	4.4
110	100 PN10,16	2-M12x135	144	229.5	20	25	5.4
125	100/125 PN10,16	2-M12x135	144	250	20	25	6.3
140	125 PN10,16	4-M12x135	144	250	20	25	6.4
160	150 PN10,16	4-M12x135	144	285.5	20	25	7.3
180	150 PN10,16	4-M12x185	195	285.5	25	35	10.2
200	200 PN10,16	4-M12x185	195	343	25	35	13
225	200 PN10,16	4-M16x195	205	342.5	25	35	14.5
250	250 PN10,16	6-M16x195	208	406	25	35	19.5
315	300 PN10,16	6-M16x195	209	483	25	35	24.6



All flange drilled to BS4504/ISO 7005 PN10 and PN16

Viking Johnson

46-48 Wilbury Way, Hitchin, Hertfordshire, SG4 0UD, United Kingdom

Tel: +44 (0)1462 443322 Fax: +44 (0)1462 443311

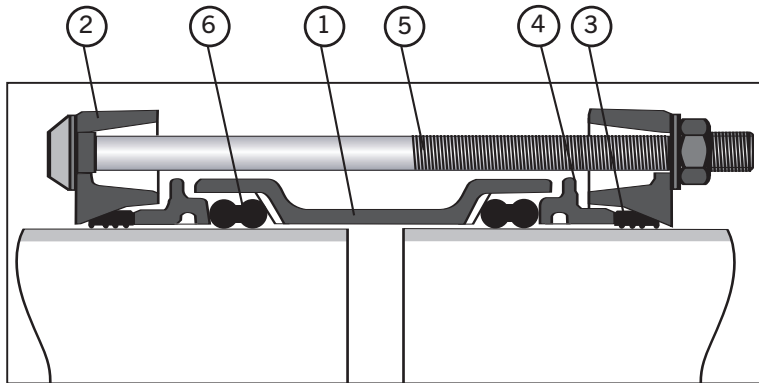
email: info@vikingjohnson.com www.vikingjohnson.com



A Crane Co. Company

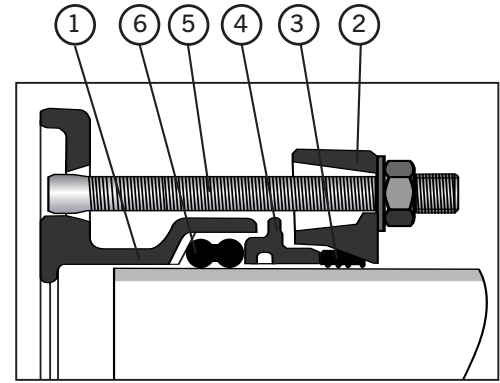


AquaFast coupling



- | | | |
|------------------|----------------------|-----------|
| 1. Centre Sleeve | 3. Gripper | 5. Bolts |
| 2. End Ring | 4. Intermediate Ring | 6. Gasket |

AquaFast flange adaptor



- | | |
|-------------|----------------------|
| 1. Body | 4. Intermediate Ring |
| 2. End Ring | 5. Tee Bolts |
| 3. Gripper | 6. Gasket |

Material Specification and Standards

AquaFast Technical Data

Centre sleeve, end ring and flange adaptor body
Ductile Iron to BS EN 1563:1997:Grade EN-GJS-450-10

Gripper ring
Zinc alloy to BS EN 12844:1999 Designation ZP3

Intermediate ring
Up to and including 160mm: Ductile iron to BS EN 1563:1997:Grade EN-GJS-450-10.
Above 160mm Aluminium alloy 6063 condition T6

Bolts
BS EN ISO 898-1:1999 Property class 8.8
Stainless steel bolts available to order

Nuts (M97)
Steel to BS EN20898-2:1994 Grade 8

Washers (M42)
BS EN 10088 stainless steel 1.4301

Gasket (EPDM)
BS EN 681-1 1996 Type WA/BS 6920 hardness to 70 IRHD

Coatings
Centre sleeve, end ring, flange adaptor body and intermediate ring: Rilsan Nylon 11
Gripper: Cataphoretic coating
Bolts, nuts: Sheraplex to WIS 4-52-03

Working pressure
Maximum 16 bar

AquaFast is designed and manufactured under Quality Management Systems certified to BS EN ISO 9001:2000 and the requirements of ISO 14001. Viking Johnson operates a policy of continual product improvement and innovation, and reserves the right to modify details in this publication. Information is correct at time of publishing. Additional dimensional information is available from our Marketing Department.

For further information on all Viking Johnson products and services contact our Marketing Department using the telephone/fax and email details below.

Viking Johnson
46-48 Wilbury Way, Hitchin, Hertfordshire, SG4 0UD, United Kingdom
Tel: +44 (0)1462 443322 Fax: +44 (0)1462 443311
email: info@vikingjohnson.com www.vikingjohnson.com

